

## Combiner/Divider, 4-Way

### Advantages

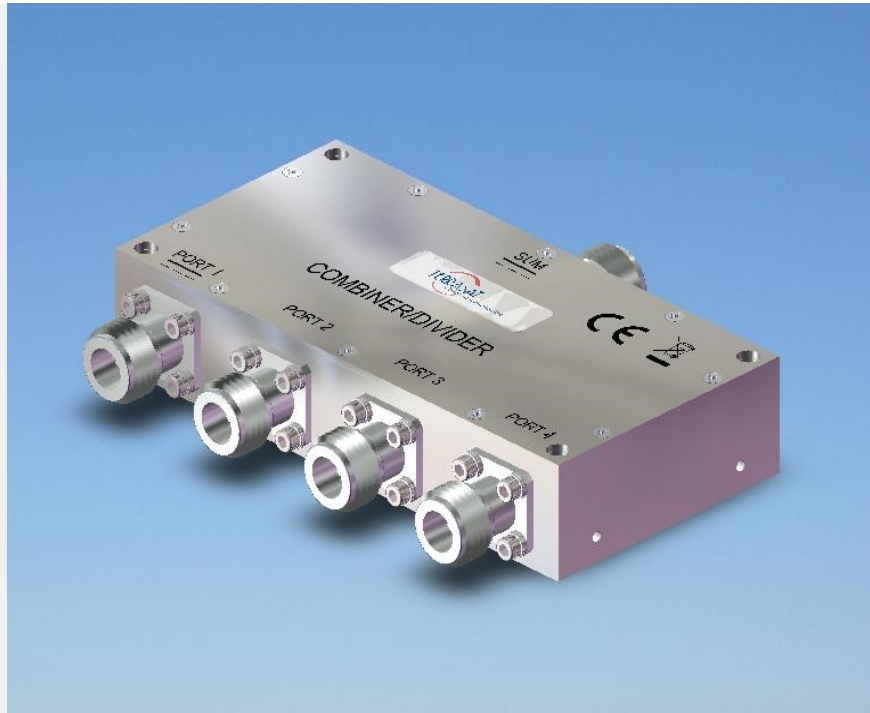
Package solution for multi-carrier operation.

One port passes DC, FSK, and 10 MHz reference signals, when present, from modem to IBUC; other ports block DC and 10 MHz to avoid interference.

Companion product for the IFU which multiplexes DC and/or 10 MHz reference when required.

Passive device in a compact package simplifies mounting and minimizes cable runs.

Choice of N-type (50  $\Omega$ ) or F-type (75  $\Omega$ ) connectors.



Terrasat's 4-Way Divider/Combiner provides a simple, compact solution for multi-carrier operations. This device is specifically designed for use with L-band modems and the Terrasat IBUC L-band Block Upconverter series.

Used as a combiner, the unit combines L-band signals from up to four modulators for use with a single L-band Block Upconverter. As a divider, the device splits a receive signal to feed up to four demodulators.

Port number one passes L-band along with DC power, FSK M&C, and 10 MHz reference signals when present. The other three ports pass only L-band avoiding interfering signals from the additional modems.

The Combiner/Divider can work in conjunction with the Terrasat IFU which provides the capability to inject DC power and/or 10 MHz reference on to the L-band Coax cable to the IBUC.

The Combiner/Divider mounts conveniently at the rear of a standard equipment rack.

A choice of connector options is available.

## Combiner/Divider, 4-Way

**Frequency Range:**

Port 1: L-band 950 to 2000 MHz  
 DC  
 FSK 580 to 720 kHz  
 10 MHz

Ports 2, 3, and 4: L-band 950 to 2000 MHz

**Isolation:** 18 dB min.

**VSWR, L-band, all ports:** 2:1

**Splitter Loss** 6 dB

**Insertion Loss, 50 Ohm:** 1.6 dB typ., 2.6 dB max.

**Insertion Loss, 75 Ohm:** 3.3 dB typ., 4.3 dB max.

**Amplitude Unbalance:** 0.7 dB

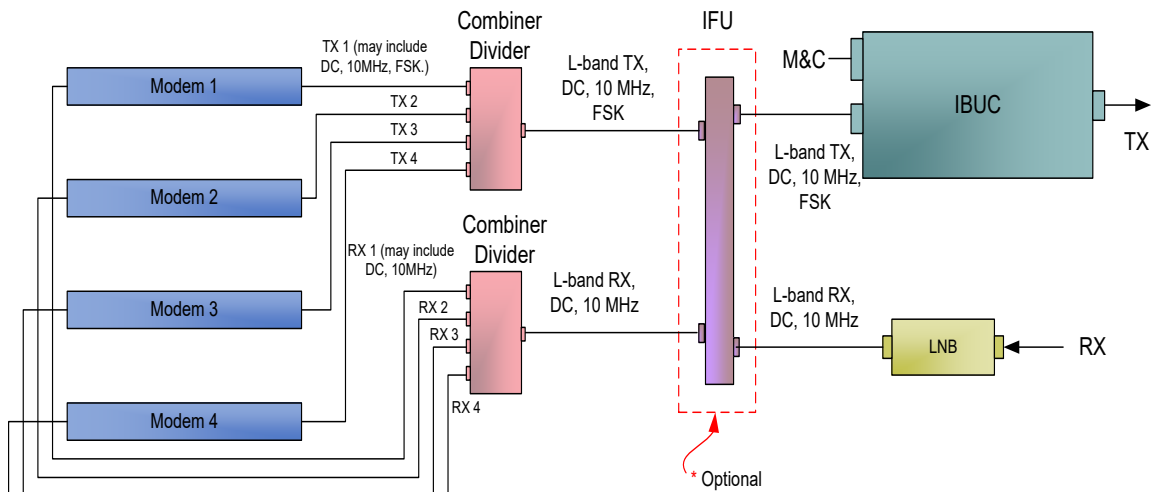
**Current Capacity:** 6.0 A max.

**Operating Temperature:** 0 to 50°C

**Dimensions:** 5.0x2.5x1.0 inches

**Connectors:** N-type 50 Ohm, standard

F-type 75 Ohm, optional



\* IFU supplies 10 MHz reference and/or DC power when not available from the modem

Specifications are subject to change without notice

Comb/Div Data Sheet 2/29/16